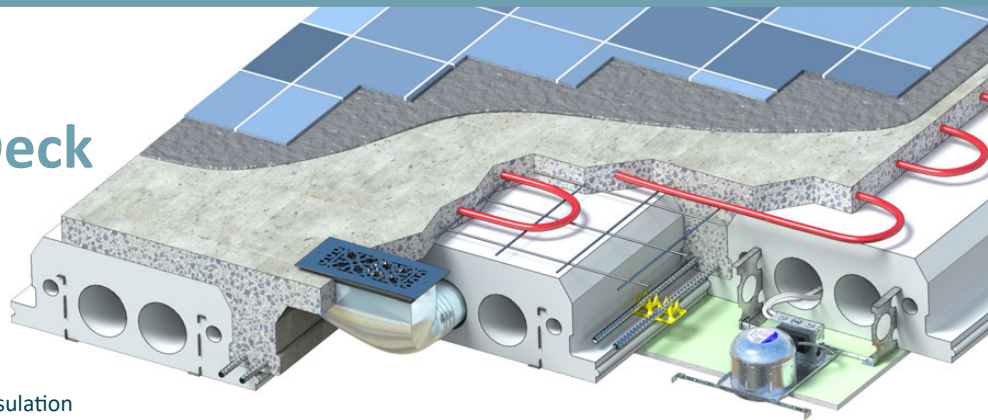


# Building with Insul-Deck Floor & Roof System



## What is Insul-Deck?

Insul-Deck panels are steel-reinforced, foamed plastic insulation boards used as permanent, stay-in-place concrete Formwork for cast-in-place floor and roof construction. Reinforced concrete joists are spaced at 24" [610mm] on center and poured monolithically with the slab to form a T-Beam reinforced concrete structure.

Insul-Deck concrete forming panels are available in several thicknesses / beam-depths to allow varying spans and loads of the one-way concrete slabs. Each Insul-Deck panel is custom-cut to the exact length required and reinforced with two continuous, galvanized steel, Z-shaped furring strips (22 Gauge [0.8mm thickness]), which provide attachment points for ceiling finishes and serve as secondary shoring/formwork support. Primary shoring must be designed and erected as per shoring supplier, project engineer, or applicable building codes (see below).

Insul-Deck panels do not provide any permanent structural support. Structural support is provided by the reinforced concrete joists and slab topping only, which need to be designed by a licensed engineer in accordance with ACI 318, ACI 301, or other applicable standards.

## Span and Floor Loads for Insul-Deck

Depending on live and dead loads assumed in the structural design, clear spans of up to 33 feet [10m] - measured from the center of the supporting elements - can be accomplished without modification to standard Insul-Deck profiles. Live loads exceeding 100 psf (4.8 kN/m<sup>2</sup>) can be supported for shorter spans (see next page). Longer spans and/or higher loads may be achieved by: increasing the T-beam height profile with extra foam-blocks glued to the top of Insul-Deck panels; high-strength concrete, additional reinforcing steel, stirrups, post tensioning, and/or camber. Contact the Insul-Deck Technical Department for details. A licensed engineer has to provide the structural design for each building.

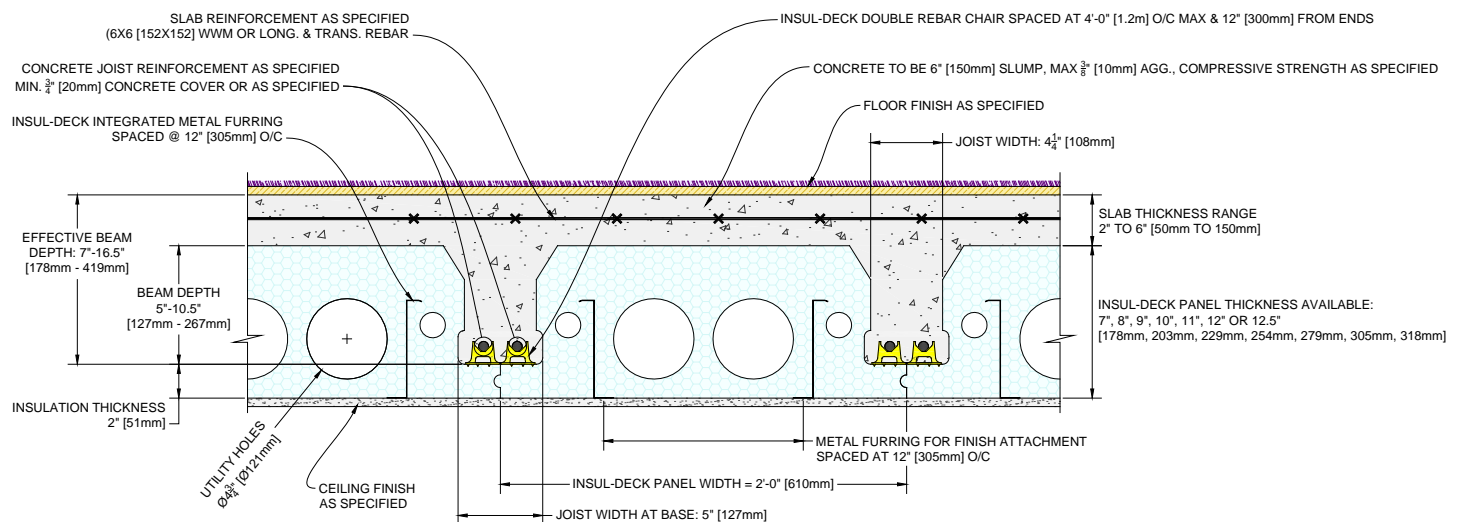
## Reinforcement

Reinforcing requirements are a function of the desired span between supporting points and the load imposed on the structure. The size, grade, and frequency of reinforcing bar should be determined by a licensed engineer for each project. For estimating purposes, Insul-Deck provides span tables showing suggested reinforcement.

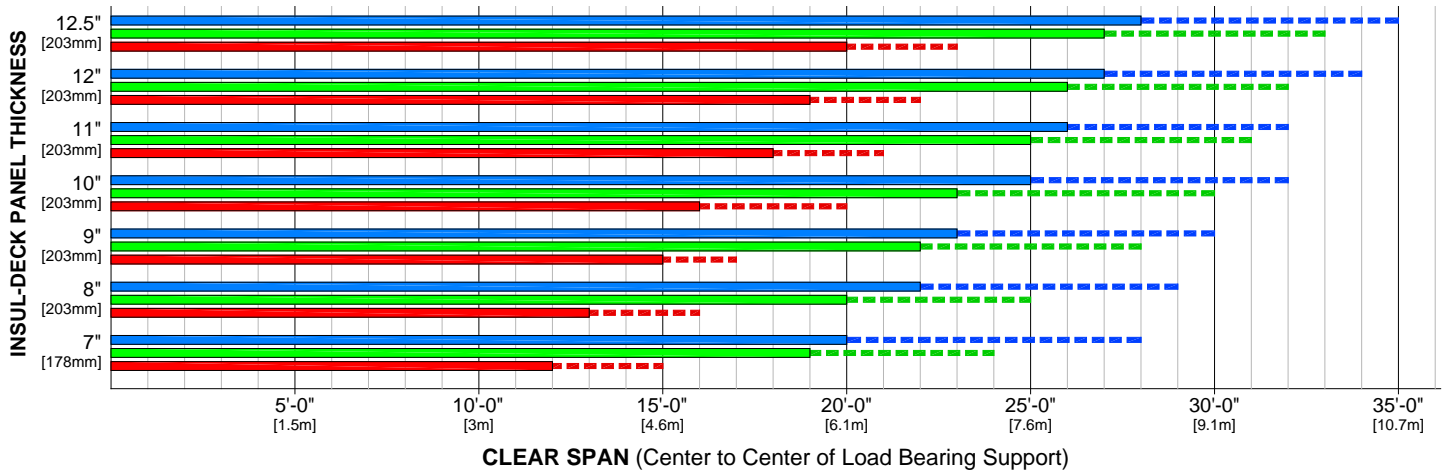
Minimum concrete cover as per ACI 318 or other applicable codes:

- Concrete for slabs, walls, joists not exposed to weather and not in contact with ground: ¾" [20mm]
- Concrete cast against and permanently exposed to earth: 3" [75mm]
- Concrete exposed to earth or weather, #6 [20M] and higher bars: 2" [50mm]; #5 [15M] bar, W31 or D31 [Ø16mm] wire, and smaller: 1½" [38mm]

The installer is responsible for placement of all reinforced concrete in accordance with ACI 318 "Building Code Requirements for Reinforced Concrete". Any variance from these standards must be provided and certified in advance by the Engineer of Record.



## INSUL-DECK SPANS (FOR ESTIMATING PURPOSES ONLY)



### LEGEND

- 20 psf [0.95 kN/m<sup>2</sup>] Live Load, 3" [75mm] Slab Thickness, 3000 psi [21 mPa] Concrete, 2-#6 [2-20M] Rebar Bot.
- 40 psf [1.92 kN/m<sup>2</sup>] Live Load; 3" [75mm] Slab Thickness, 3000 psi [21 mPa] Concrete, 2-#6 [2-20M] Rebar Bot.
- 100 psf [4.77 kN/m<sup>2</sup>] Live Load; 3" [75mm] Slab Thickness, 3000 psi [21 mPa] Concrete, 2-#6 [2-20M] Rebar Bot.
- - - - 4" [100mm] Slab Thickness, 4000 psi [28 mPa] Concrete, 2-#7 [2-22M] Rebar Bot. & 1-#6 [1-20M] Rebar Top

## Slab Thickness

Because of the support provided by the reinforced concrete joists every 24 inches (610mm), a much thinner slab section is required. Slab sections between 2 and 6 inches (50 and 150mm), depending on live loads and other forces applied to the slab, are commonly used. This design results in 30 to 40% concrete savings in most jobs, and therefore eliminates 30 to 40% of the mass of the floor or roof reducing the need for greater bearing capacity of walls and/or footings. A 3" [75mm] slab thickness is common for most residential floors and 5" [125mm] slab is recommended for areas with high point loads such as garage floors.

## Construction Details

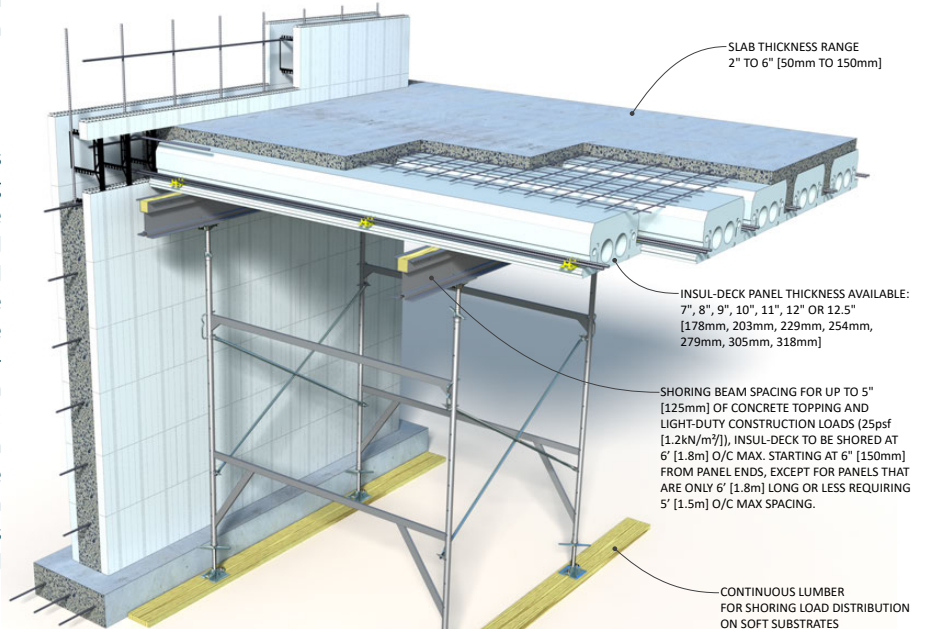
Typical construction details are available on the Insul-Deck website, [www.insuldeck.com](http://www.insuldeck.com), and can be downloaded at no charge in PDF or DWG file formats. Many common design features are shown, including multiple story applications, pitched roofs, cantilevers and more.

## Shoring & Bracing

Insul-Deck Panels require only primary shoring for support or, if required, camber. This means that less shoring is generally required, approximately every 6' [1.8m] on center and perpendicular to Insul-Deck Panels. First and last shoring beams must start at maximum 6" [150mm] from panel ends. Installer is responsible for the design and correct installation of shoring for Insul-Deck forms in accordance with ACI (American Concrete Institute) 347.2R "Guide for Shoring/Reshoring of Concrete Multistory Buildings", Chapter 2, Design. It is recommended that an analysis of the shoring for each project be carried out by a qualified engineer (often provided by shoring suppliers), in addition to the design of the structure.

## Shoring Removal

The concrete structure must be able to support its own weight (dead load) and the loads imposed during construction (construction load) without excessive deflection that will harm the structure. Preferred Method: Determination of the length of time required before removal of shoring (or re-shoring) should be made by the Engineer of Record, based on the compressive strength of the concrete and curing conditions. A ready-mixed concrete supplier can supply high-early-strength concrete for early removal of shoring. Alternate Method: If plans and contract documents contain no specification for minimum compressive strength of concrete at the time of formwork and shoring removal, ACI 347, Section 3.7 provides guidelines pertaining to one-way floor slabs and the removal of shoring. See standards list at the end of this bulletin.



## Ceiling Finishes

Ceiling finish (GWB or equiv.) can be attached directly to metal Z strips integrated in Insul-Deck panels. A minimum 15 minute thermal barrier is required over exposed EPS insulation surfaces. Dropped ceilings can be installed over 15 min. thermal barrier for projects requiring more room for HVAC or other utilities.

Independent tests (October 2008 Applied Technical Services) confirm the average ultimate load required to pull the Z strip from the Insul-Deck EPS at 380 pounds [172kg] per linear foot. With a factor of safety of 3, the allowable load is 127 pounds [57kg] per linear foot. Insul-Deck Z strip furring is manufactured with 22 ga. [0.8mm] galvanized steel. Consult fastener manufacturer tables for pullout values of specific screw fasteners.

## EPS Board Type – ASTM C578/CAN-ULC S701

Insul-Deck is manufactured from Expanded Polystyrene (EPS) at an average density of 1.25 lbs/cu. Ft. [20 kg/m<sup>3</sup>]. The EPS material corresponds to Type VIII in the USA (ASTM C578) and Type 1 in Canada (CAN/ULC S701). EPS is treated with a flame-retardant for use in building insulation. In most design scenarios, building codes require that exposed foamed plastic insulation be covered with a minimum 15-minute rated thermal barrier, such as those listed in this table:

| Structure Type    | Thermal Barrier          | Fastening                                     | Confirmed By                   |
|-------------------|--------------------------|---|--------------------------------|
| Non fire rated    | ½ in. non-fire rated GWB | Screwed to metal Z strips @ 12" o.c. w/#6 TEK | NFPA 286, ISO 9705             |
| 2 hr. fire rated* | ¾ in. Type C rated GWB   | Screwed to metal Z strips @ 12" o.c. w/#6 TEK | ASTM E119, UL263, CAN/ULC S101 |

\* Contact Insul-Deck Technical Department for full description of 2 hr. fire rated assembly & loading details

The raw material vendor's evaluation & test reports, and any reports referenced below, are available on request to engineers and building officials.

## Surface Burning Characteristics – ASTM E84 / UL 723/ NFPA 286

Flame Spread <25; Smoke Developed <450 (prior to floor ignition). CAN/ULC-S102: Flame Spread ≤290, Smoke Developed over 500.

Insul-Deck max. 12.5" [318mm] foam thickness has been confirmed as code compliant under IBC 2603.9 or IRC R316.6 and R302.9.4 via independent NFPA 286 testing using ½" [13mm] GWB as described above.

## Fire Resistance Ratings

Insul-Deck has successfully completed a 2 hour 40 minutes Fire Resistance Rating per ASTM E119, UL 263, and CAN/ULC S101 for a suspended concrete floor/roof structure constructed with 8" [203mm] thick Insul-Deck panels with 3" [76mm] thick concrete topping. Refer to the Insul-Deck design manual for details concerning spans, loading, and added components to the assembly. Other fire rated assemblies may be designed by the Engineer of Record for each project using prescriptive models such as ACI 216 (Table 2.1) "Fire resistance of singular layer concrete walls, floors and roofs" below:

| Aggregate Type   | Insul-Deck Slab Thickness for Fire Resistance Rating |              |              |              |              |
|------------------|--|--------------|--------------|--------------|--------------|
|                  | 1 hr   | 1.5 hr       | 2 hr         | 3 hr         | 4 hr         |
| Siliceous        | 3.5" [89mm]  | 4.3" [109mm] | 5.0" [127mm] | 6.2" [157mm] | 7.0" [178mm] |
| Carbonate        | 3.2" [81mm]  | 4.0" [102mm] | 4.6" [117mm] | 5.7" [145mm] | 6.6" [168mm] |
| Semi-lightweight | 2.7" [69mm]  | 3.3" [84mm]  | 3.8" [97mm]  | 4.6" [117mm] | 5.4" [137mm] |
| Lightweight      | 2.5" [64mm]  | 3.1" [79mm]  | 3.6" [91mm]  | 4.4" [112mm] | 5.1" [130mm] |

## Insulation Values - ASTM C518

Per ASTM C518 tests, R-Values for Type VIII EPS are 3.92 and 4.54 per inch thickness @ 75°F and 25°F, respectively.

EPS insulation performs better in cold conditions, in contrast to many other insulation materials that perform worse than advertised when heating is actually required. Calculated R-Values for Insul-Deck & concrete assemblies per ASTM C518 values for EPS are:

| Insul-Deck Panel Thickness                    | 7" [178mm] | 8" [203mm] | 9" [228mm] | 10" [154mm] | 11" [279mm] | 12" [305mm] | 12.5" [318mm] |
|---|------------|------------|------------|-------------|-------------|-------------|---------------|
| R-values at 25°F (h•ft <sup>2</sup> •°F/BTU ) | 16         | 19         | 22         | 24          | 26          | 27          | 28            |
| R-values at 75°F (h•ft <sup>2</sup> •°F/BTU ) | 14         | 17         | 19         | 21          | 23          | 24          | 25            |

## STC Sound Tests

Results of Airborne Sound Transmission Loss Testing - ASTM E90 (Sound Transmission Classification):

| Floor Type & Assembly   | STC |
|---|-----|
| 16" [406mm] Floor Assembly (12" [305mm] Insul-Deck & 4" [102mm] Concrete), Rubber Underlayment & Tile Flooring and 1/2" [13mm] GWB ceiling finish | 55  |
| 16" [406mm] Floor Assembly (12" [305mm] Insul-Deck & 4" [102mm] Concrete), Rubber Underlayment & Wood Flooring and 1/2" [13mm] GWB ceiling finish | 54  |
| 12" [305mm] Floor Assembly (9" [228mm] Insul-Deck & 3" [75mm] Concrete), 2 layers 5/8" [16mm] gypsum board  | 53  |
| 12" [305mm] Floor Assembly (9" [228mm] Insul-Deck & 3" [75mm] Concrete), 1 layer 5/8" [16mm] gypsum board   | 49  |

## IIC Sound Tests

Results for Impact Sound Tests - ASTM E1007-04 and ASTM E492 (Field Impact Insulation Class):

| Floor Type & Assembly  | (F)IIC |
|--|--------|
| 15" [381mm] Floor Assembly (12" [305mm] Insul-Deck & 3" [75mm] Concrete), 5/8" [16mm] Jute Carpet on floor and 1/2" [13mm] GWB ceiling finish                | 70     |
| 16" [406mm] Floor Assembly (12" [305mm] Insul-Deck & 4" [102mm] Concrete), <b>Rubber Underlayment &amp; Wood Flooring</b> and 1/2" [13mm] GWB ceiling finish | 52     |
| 16" [406mm] Floor Assembly (12" [305mm] Insul-Deck & 4" [102mm] Concrete), <b>Rubber Underlayment &amp; Tile Flooring</b> and 1/2" [13mm] GWB ceiling finish | 48     |
| 15" [381mm] Floor Assembly (12" [305mm] Insul-Deck & 3" [75mm] Concrete), 1/2" [13mm] tile on floor and 1/2" [13mm] GWB ceiling finish                       | 26     |

## Insul-Deck Floor Weights

| Insul-Deck Floor Weights (lbs/sqft) |                |      |      |      |      |      |      |
|-------------------------------------|----------------|------|------|------|------|------|------|
| Insul-Deck Panel Thickness          | Slab Thickness |      |      |      |      |      |      |
|                                     | 2"             | 2.5" | 3"   | 3.5" | 4"   | 4.5" | 5"   |
| 7"                                  | 45.1           | 51.4 | 57.6 | 63.9 | 70.1 | 76.4 | 82.6 |
| 8"                                  | 47.3           | 53.6 | 59.8 | 66.1 | 72.3 | 78.6 | 84.8 |
| 9"                                  | 49.5           | 55.8 | 62.0 | 68.3 | 74.5 | 80.8 | 87.0 |
| 10"                                 | 51.7           | 58.0 | 64.2 | 70.5 | 76.7 | 83.0 | 89.2 |
| 11"                                 | 53.9           | 60.2 | 66.4 | 72.7 | 78.9 | 85.2 | 91.4 |
| 12"                                 | 56.2           | 62.5 | 68.7 | 75.0 | 81.2 | 87.5 | 93.7 |
| 12.5"                               | 57.3           | 63.5 | 69.8 | 76.0 | 82.3 | 88.5 | 94.8 |

Notes: The above are unfactored estimated weights which include concrete (150 lbs/cuft), reinforcement (3 lbs/sqft), Insul-Deck Panel (2 lbs/sqft) & misc. (2 lbs/sqft).

| Insul-Deck Floor Weights (kg/m <sup>2</sup> ) |                |       |       |       |       |       |       |
|---|----------------|-------|-------|-------|-------|-------|-------|
| Insul-Deck Panel Thickness                    | Slab Thickness |       |       |       |       |       |       |
|   | 50mm           | 75mm  | 90mm  | 100mm | 110mm | 120mm | 130mm |
| 178mm   | 218.8          | 278.8 | 314.8 | 338.8 | 362.8 | 386.8 | 410.8 |
| 203mm   | 229.6          | 289.6 | 325.6 | 349.6 | 373.6 | 397.6 | 421.6 |
| 228mm   | 240.4          | 300.4 | 336.4 | 360.4 | 384.4 | 408.4 | 432.4 |
| 254mm   | 251.2          | 311.2 | 347.2 | 371.2 | 395.2 | 419.2 | 443.2 |
| 279mm   | 262.0          | 322.0 | 358.0 | 382.0 | 406.0 | 430.0 | 454.0 |
| 305mm   | 272.8          | 332.8 | 368.8 | 392.8 | 416.8 | 440.8 | 464.8 |
| 318mm   | 278.2          | 338.2 | 374.2 | 398.2 | 422.2 | 446.2 | 470.2 |

Notes: These are unfactored estimated weights which include concrete (2400 kg/m<sup>3</sup>), reinforcement (15 kg/m<sup>2</sup>), Insul-Deck Panel (10 kg/m<sup>2</sup>) & misc. (10 kg/m<sup>2</sup>).

## Publications

More information, code requirements, and guidelines can be found in these publications:

| Document       | Title   |
|----------------|---|
| ACI 216        | Standard Method for Determining Fire Resistance of Concrete and Masonry Construction Assemblies |
| ACI 301        | Specifications for Structural Concrete  |
| ACI 318        | Building Code Requirements for Structural Concrete  |
| ACI 332        | Guide to Residential Cast-in-Place Concrete Construction  |
| ACI 347        | Guide to Formwork of Concrete   |
| ACI 347.2R     | Guide for Shoring/Reshoring of Concrete Multistory Buildings                                    |
| ANSI A10.9     | American National Standard for Construction and Demolition Operations                           |
| ASCE 24        | Flood Resistant Design and Construction   |
| ASTM E84       | Surface Burning Characteristics of Building Materials   |
| ASTM E119      | Standard Test Methods for Fire Tests of Building Construction and Materials                     |
| CAN/ULC S101   | Fire Endurance Tests of Building Construction and Materials                                     |
| CSA 23.1       | Concrete Materials & Methods of Construction  |
| CSA 23.2       | Methods of Test and Standard Practices for Concrete   |
| CSA 23.3       | Designing Concrete Structures   |
| CSA S269.1     | Falsework for Construction (Reaffirmed 1998)  |
| CSA S269.3-M92 | Concrete Formwork   |
| NFPA 286       | Fire Tests for Evaluating Contribution of Wall and Ceiling Interior Finish to Room Fire Growth  |
| OSHA 29 CFR    | Construction Safety and Health Regulations for Construction                                     |
| SEI/ASCE 37    | Design Loads on Structures During Construction  |
| UL 263         | Standard for Fire Tests of Building Construction and Materials                                  |
| UL 723         | Surface Burning Characteristics of Building Materials   |

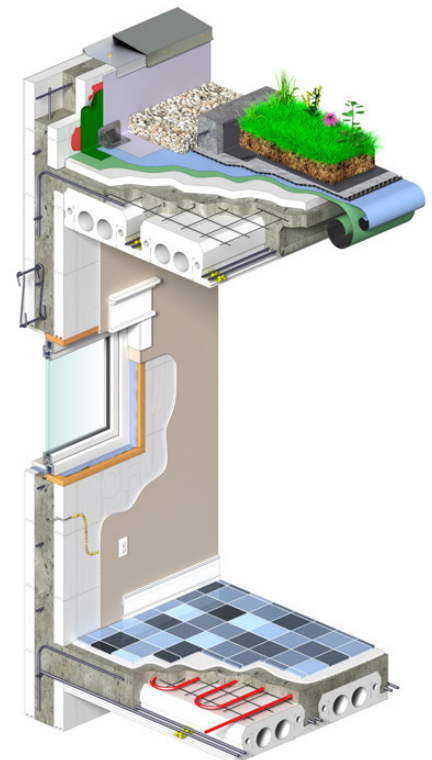
**CAUTION:** This product is combustible. Keep away from high heat and ignition sources.

A protective barrier or thermal barrier is required as specified in the appropriate building code.

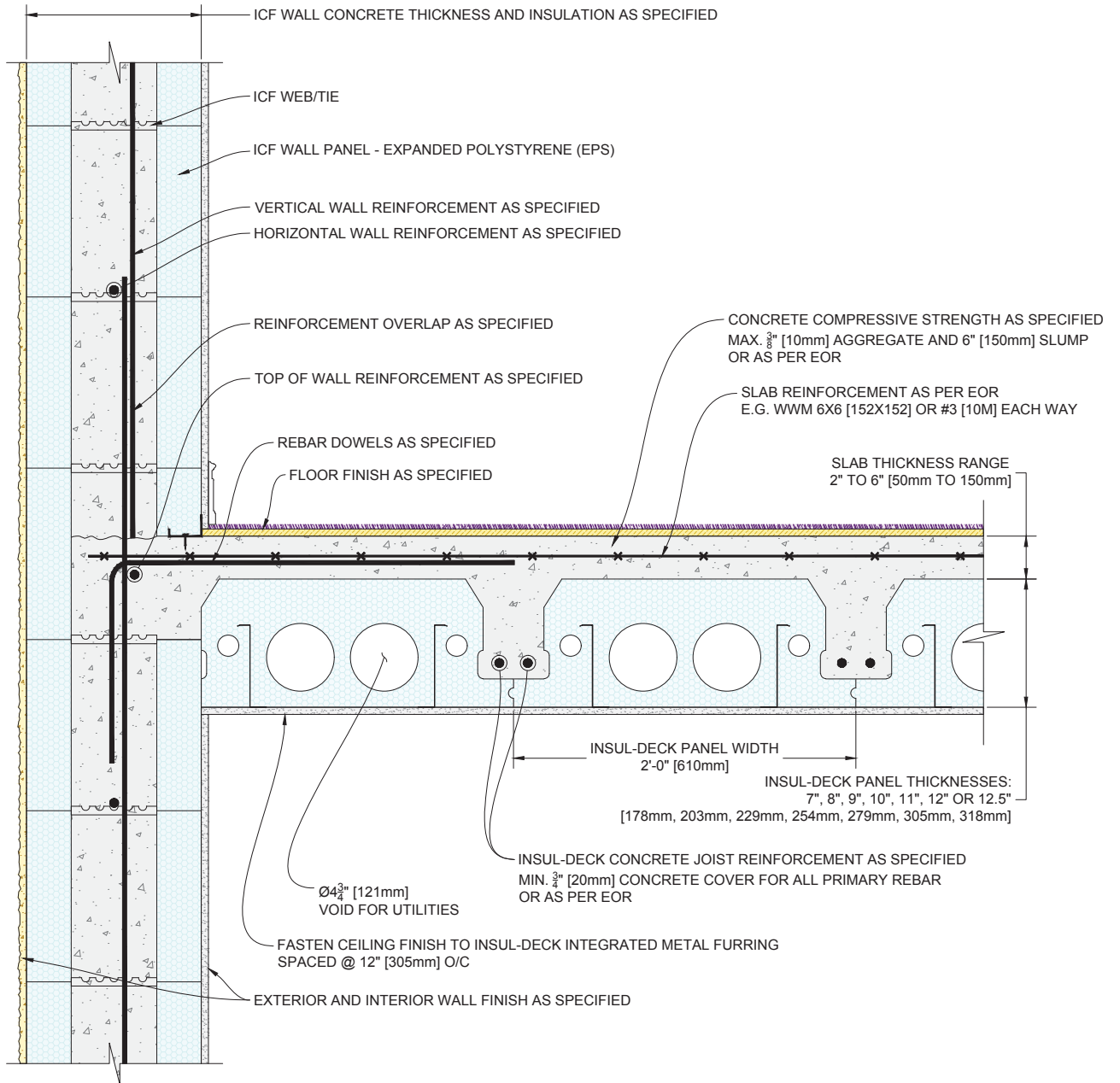
**Additional Information or a Free Estimate: [www.insuldeck.com](http://www.insuldeck.com)**

*This document is for information purposes only. No representation is made or warranty given as to its contents.*

*User assumes all risk of use. Insul-Deck and its suppliers assume no responsibility for any loss or delay resulting from such use.*







**1** INSUL-DECK PANELS PARALLEL TO ICF WALL  
Scale: N.T.S.

Plastbau® Technology  
**INSUL-DECK**

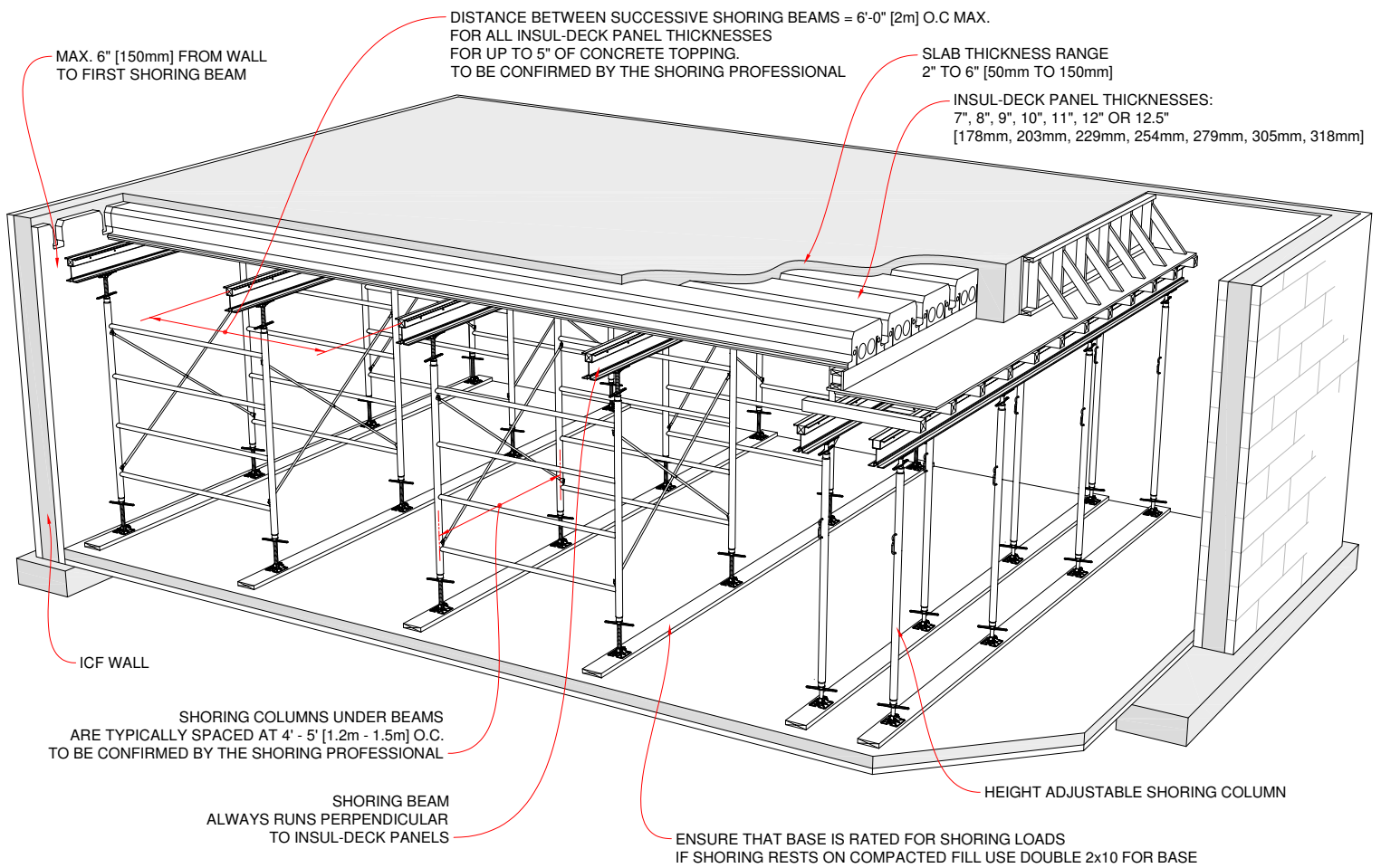
**INSUL-Deck**  
65 Grady Knight Industrial Blvd.  
Villa Rica, GA 30180-2107

Phone: 800-475-6720  
Fax: 727-216-7946  
Email: [insuldeck@insuldeck.com](mailto:insuldeck@insuldeck.com)  
Web: [www.insuldeck.com](http://www.insuldeck.com)

## INSUL-DECK TO ICF WALL

|                |            |              |                            |
|----------------|------------|--------------|----------------------------|
| DATE DRAWN:    | 2017-02-15 | COMMENTS:    | N/A                        |
| REVISION NO.:  | YYYY-MM-DD | SHEET SIZE:  | 8.5" x 11" [216mm x 279mm] |
| REVISION DATE: | N/A        | SCALE:       | NOT TO SCALE               |
| DRAWN BY:      | M. HART    | APPROVED BY: | G. KUSTERMANN              |
|                |            |              | <b>ID-202</b>              |

IT IS THE RESPONSIBILITY OF THE USER TO COMPLY WITH ALL APPLICABLE REGULATIONS AND BUILDING CODE REQUIREMENTS CONCERNING THE USE OF THESE PRODUCTS.  
IT IS FURTHER THE RESPONSIBILITY OF THE USER TO RESEARCH AND UNDERSTAND SAFE METHODS OF USE AND HANDLING OF THESE PRODUCTS.



**1 TYPICAL INSUL-DECK SHORING LAYOUT**  
REINFORCEMENT OMITTED FOR CLARITY

**SHORING AND BRACING:**  
 INSTALLER IS RESPONSIBLE FOR THE DESIGN AND CORRECT INSTALLATION OF SHORING OF INSUL-DECK FORMS IN ACCORDANCE WITH ACI (AMERICAN CONCRETE INSTITUTE) 347-04 "GUIDE TO FORMWORK FOR CONCRETE" OR CURRENT APPLICABLE CODES. ANY VARIANCE FROM THESE STANDARDS MUST BE PROVIDED AND CERTIFIED IN ADVANCE BY A STRUCTURAL ENGINEER, LICENSED FOR THE JOBSITE LOCATION AND SPECIFICATIONS.

| Insul-Deck Floor Weights (lb/sqft)  |                |      |      |      |
|---|----------------|------|------|------|
| Insul-Deck Panel Thickness  | Slab Thickness |      |      |      |
|   | 2"             | 3"   | 4"   | 5"   |
| 7"  | 45.1           | 57.6 | 70.1 | 82.6 |
| 8"  | 47.3           | 59.8 | 72.3 | 84.8 |
| 9"  | 49.5           | 62.0 | 74.5 | 87.0 |
| 10"   | 51.7           | 64.2 | 76.7 | 89.2 |
| 11"   | 53.9           | 66.4 | 78.9 | 91.4 |
| 12"   | 56.2           | 68.7 | 81.2 | 93.7 |
| 12.5"   | 57.3           | 69.8 | 82.3 | 94.8 |
| <b>Notes:</b><br>The above are unfactored estimated weights which include concrete (150pcf), reinforcement (3lb/sqft), Insul-Deck Panel (2lb/sqft) and misc. (2lb/sqft) |                |      |      |      |

| Insul-Deck Floor Weights (Kg/m <sup>2</sup> )   |                |       |       |       |
|---|----------------|-------|-------|-------|
| INSUL-DECK Panel Thickness  | Slab Thickness |       |       |       |
|   | 50mm           | 90mm  | 110mm | 130mm |
| 178mm   | 218.8          | 314.8 | 362.8 | 410.8 |
| 203mm   | 229.6          | 325.6 | 373.6 | 421.6 |
| 228mm   | 240.4          | 336.4 | 384.4 | 432.4 |
| 254mm   | 251.2          | 347.2 | 395.2 | 443.2 |
| 279mm   | 262.0          | 358.0 | 406.0 | 454.0 |
| 305mm   | 272.8          | 368.8 | 416.8 | 464.8 |
| 318mm   | 278.2          | 374.2 | 422.2 | 470.2 |
| <b>Notes:</b><br>The above are unfactored estimated weights which include concrete (2400Kg/m <sup>3</sup> ), reinforcement (15Kg/m <sup>2</sup> ), Insul-Deck Panel (10Kg/m <sup>2</sup> ) and misc. (10Kg/m <sup>2</sup> ) |                |       |       |       |

Plastbau® Technology  
**INSUL-DECK®**

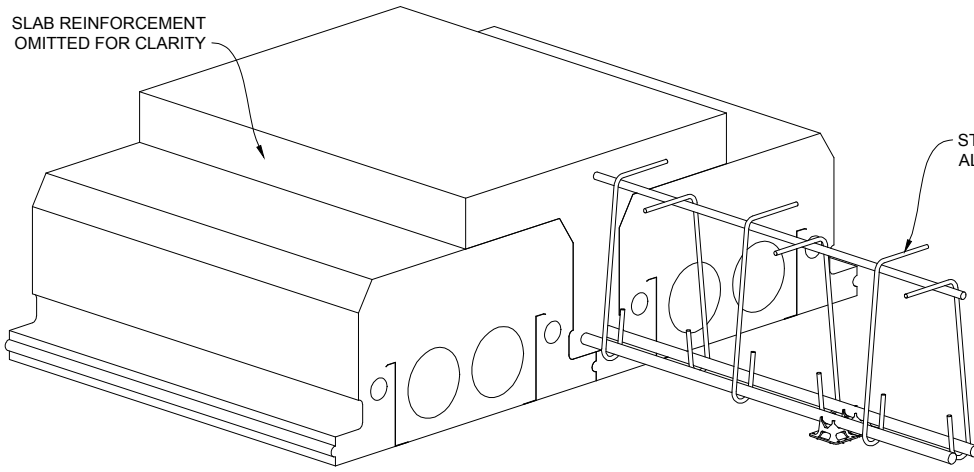
**INSUL-DECK**  
 65 Grady Knight Industrial Blvd.  
 Villa Rica, GA 30180-2107  
 Phone: 800-475-6720  
 Fax: 727-216-7946  
 Email: insuldeck@insuldeck.com  
 Web: www.insuldeck.com

IT IS THE RESPONSIBILITY OF THE USER TO COMPLY WITH ALL APPLICABLE REGULATIONS AND BUILDING CODE REQUIREMENTS CONCERNING THE USE OF THESE PRODUCTS.  
 IT IS FURTHER THE RESPONSIBILITY OF THE USER TO RESEARCH AND UNDERSTAND SAFE METHODS OF USE AND HANDLING OF THESE PRODUCTS.

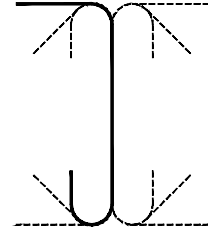
**INSUL-DECK SHORING DETAIL**

|                |            |              |                            |
|----------------|------------|--------------|----------------------------|
| DATE DRAWN:    | 2017-02-15 | COMMENTS:    | N/A                        |
| REVISION NO.:  | R1         | SHEET SIZE:  | 8.5" x 11" [216mm x 279mm] |
| REVISION DATE: | 2017-11-08 | SCALE:       | NOT TO SCALE               |
| DRAWN BY:      | TECHNICAL  | APPROVED BY: | G. K.                      |
|                |            |              | DRAWING NO.:               |
|                |            |              | <b>ID-808</b>              |

SLAB REINFORCEMENT  
OMITTED FOR CLARITY



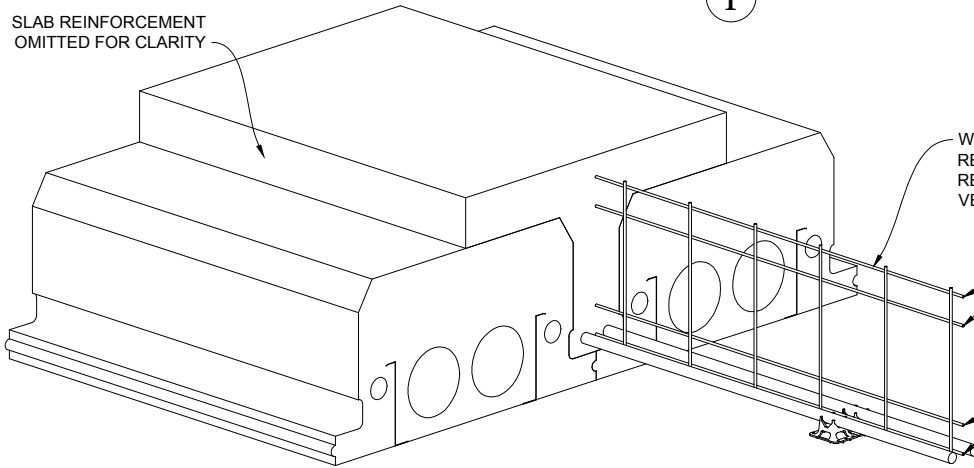
STIRRUPS AS SPECIFIED  
ALTERNATE LEFT TO RIGHT



**1** SHEAR REINFORCEMENT OPTION 1

Scale: N.T.S.

SLAB REINFORCEMENT  
OMITTED FOR CLARITY



WELDED WIRE FABRIC/MESH  
REFER TO ACI-318 CHAPTER 12 FOR SPECIFIC DIMENSIONAL  
REQUIREMENTS FOR HORIZONTAL STRANDS  
VERTICAL STRAND SPACING AS REQUIRED BY SHEAR CALC'S.

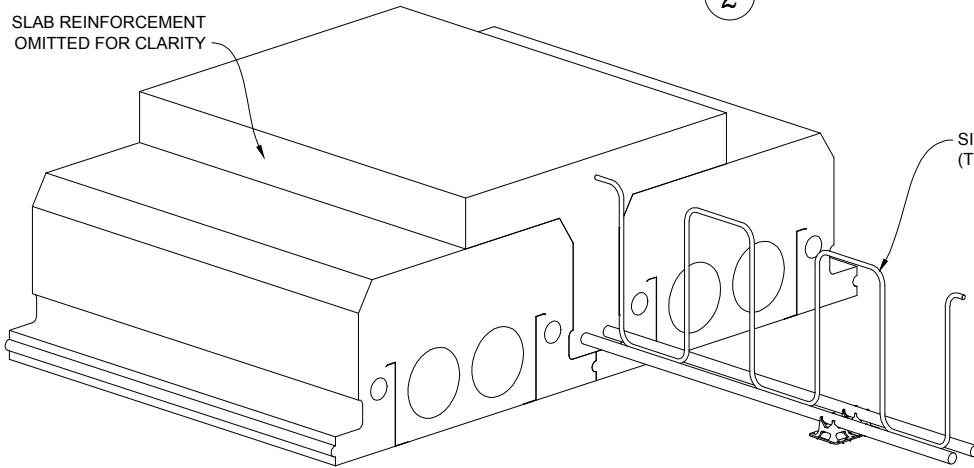
TOP STRAND TO HAVE MIN. COVER AS REQUIRED  
SECOND TOP STRAND TO BE 2" DOWN

BOTTOM STRAND BE IN LINE WITH  
LONGITUDINAL REINFORCEMENT  
NEXT STRAND TO BE 2" UP.

**2** SHEAR REINFORCEMENT OPTION 2

Scale: N.T.S.

SLAB REINFORCEMENT  
OMITTED FOR CLARITY



SINGLE BAR (TYPICALLY #3 [10m] BENT AS REQUIRED  
(THIS METHOD NOT ALLOWED IN CANADA))

**3** SHEAR REINFORCEMENT OPTION 3

Scale: N.T.S.

Plastbau® Technology  
**INSUL••DECK®**

**INSUL-Deck**  
65 Grady Knight Industrial Blvd.  
Villa Rica, GA 30180-2107

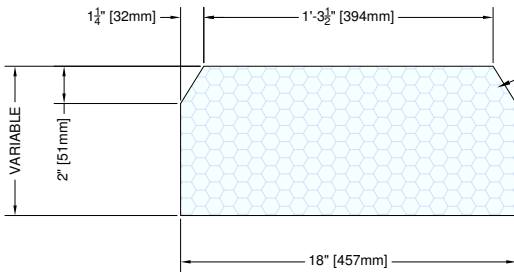
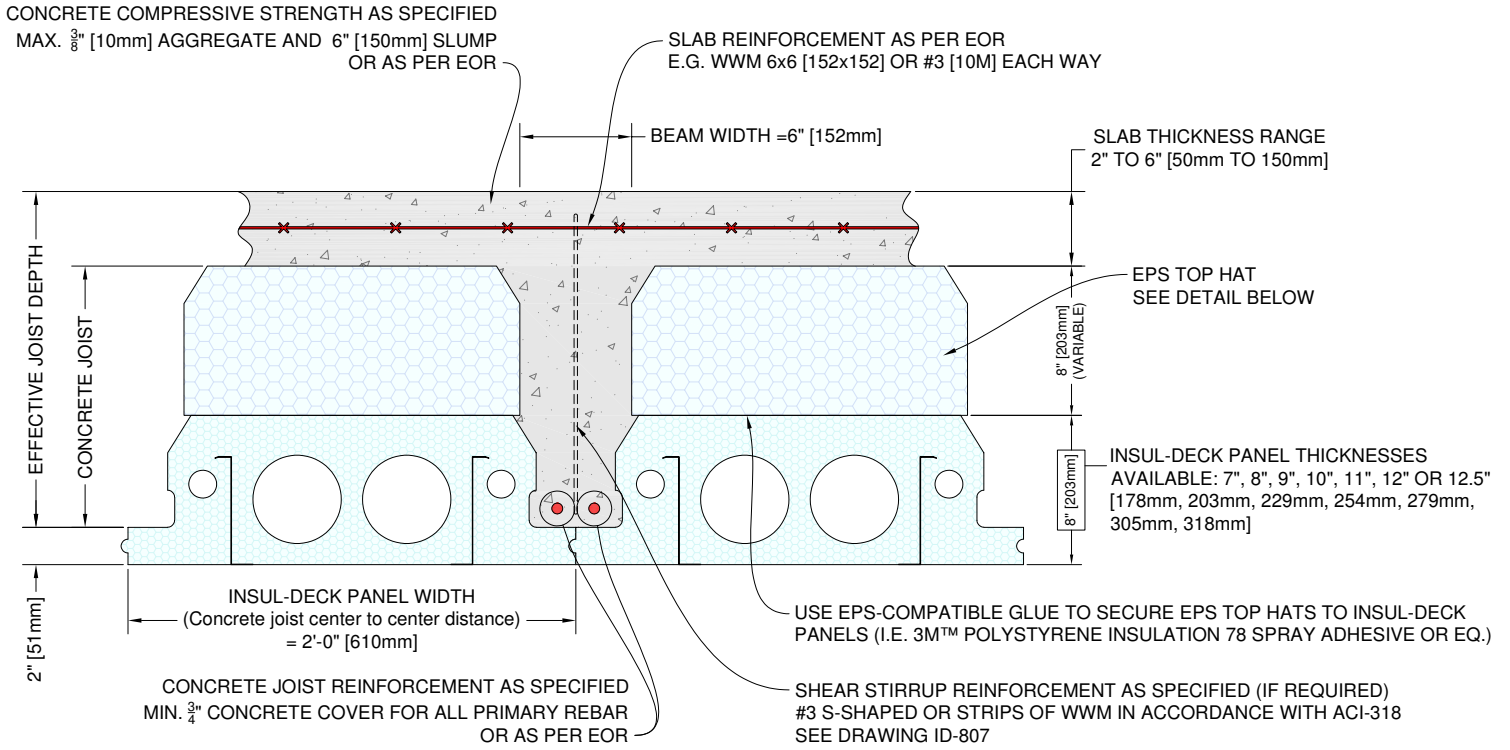
Phone: 800-475-6720  
Fax: 727-216-7946  
Email: [insuldeck@insuldeck.com](mailto:insuldeck@insuldeck.com)  
Web: [www.insuldeck.com](http://www.insuldeck.com)

**SHEAR STIRRUP OPTIONS**

|                |            |              |                            |
|----------------|------------|--------------|----------------------------|
| DATE DRAWN:    | 2017-02-15 | COMMENTS:    | N/A                        |
| REVISION NO.:  | YYYY-MM-DD | SHEET SIZE:  | 8.5" x 11" [216mm x 279mm] |
| REVISION DATE: | N/A        | SCALE:       | NOT TO SCALE               |
| DRAWN BY:      | M. HART    | APPROVED BY: | G. KUSTERMANN              |
|                |            |              | <b>ID-807</b>              |

IT IS THE RESPONSIBILITY OF THE USER TO COMPLY WITH ALL APPLICABLE REGULATIONS AND BUILDING CODE REQUIREMENTS CONCERNING THE USE OF THESE PRODUCTS.  
IT IS FURTHER THE RESPONSIBILITY OF THE USER TO RESEARCH AND UNDERSTAND SAFE METHODS OF USE AND HANDLING OF THESE PRODUCTS.

**NOTES:**  
**TOP HATS INCREASE INSUL-DECK'S EFFECTIVE BEAM DEPTH WHICH IN TURN INCREASES LIVE LOAD CAPACITY AND CLEAR SPAN OF THE FLOOR SYSTEM**  
 WHEN SELECTING TOP HAT THICKNESS, PAY ATTENTION TO MAXIMUM SLENDERNESS (HEIGHT TO WIDTH) RATIO FOR CONCRETE JOISTS



**EPS TOP HAT - ID15**  
 CUSTOM ORDERED IN ANY HEIGHT  
 COMES IN 8' [2.44m] LONG SECTIONS  
 MADE FROM MODIFIED EXPANDED POLYSTYRENE  
 (EPS - INCLUDES FLAME-RETARDANT)  
 DENSITY - REFER TO TABLE BELOW

| Product                     | U.S. EPS Board Type (ASTM C578) | Canada EPS Board Type (CAN/ULC-S701) | Density                                 | Thermal Conductance (per inch [25mm] thickness)                      |
|-----------------------------|---------------------------------|--------------------------------------|---|--|
| EPS Top Hats - ex Surrey BC | Type II                         | Type 2                               | min. 1.35 pcf [21.6 kg/m <sup>3</sup> ] | R-4.00 ft. <sup>2</sup> •h•°F/Btu [RSI-0.7044 K•m <sup>2</sup> /W]   |
| EPS Top Hats                | Type VIII                       | Type 1                               | min. 1.15 pcf [18.4 kg/m <sup>3</sup> ] | { R-3.80 ft. <sup>2</sup> •h•°F/Btu [RSI-0.6692 K•m <sup>2</sup> /W] |
| Insul-Deck                  | Type VIII                       | Type 1                               | avg. 1.25 pcf [20 kg/m <sup>3</sup> ]   | u [  |

Plastbau® Technology  
**INSUL•DECK®**

INSUL-DECK  
 65 Grady Knight Industrial Blvd.  
 Villa Rica, GA 30180-2107

Phone: 800-475-6720  
 Fax: 727-216-7946  
 Email: insuldeck@insuldeck.com  
 Web: www.insuldeck.com

## EPS Top Hats

|                |            |              |                            |
|----------------|------------|--------------|----------------------------|
| DATE DRAWN:    | 2017-02-15 | COMMENTS:    | N/A                        |
| REVISION NO.:  | R1         | SHEET SIZE:  | 8.5" x 11" [216mm x 279mm] |
| REVISION DATE: | 2017-09-13 | SCALE:       | NOT TO SCALE               |
| DRAWN BY:      | TECHNICAL  | APPROVED BY: | G. K.                      |

ID-108

IT IS THE RESPONSIBILITY OF THE USER TO COMPLY WITH ALL APPLICABLE REGULATIONS AND BUILDING CODE REQUIREMENTS CONCERNING THE USE OF THESE PRODUCTS.  
 IT IS FURTHER THE RESPONSIBILITY OF THE USER TO RESEARCH AND UNDERSTAND SAFE METHODS OF USE AND HANDLING OF THESE PRODUCTS.